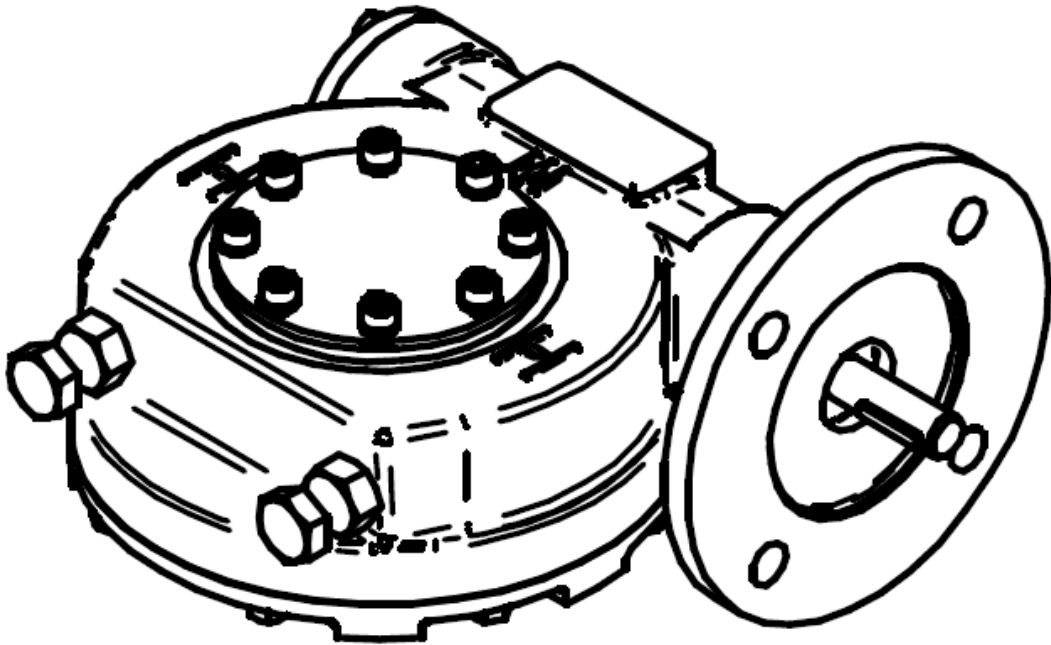
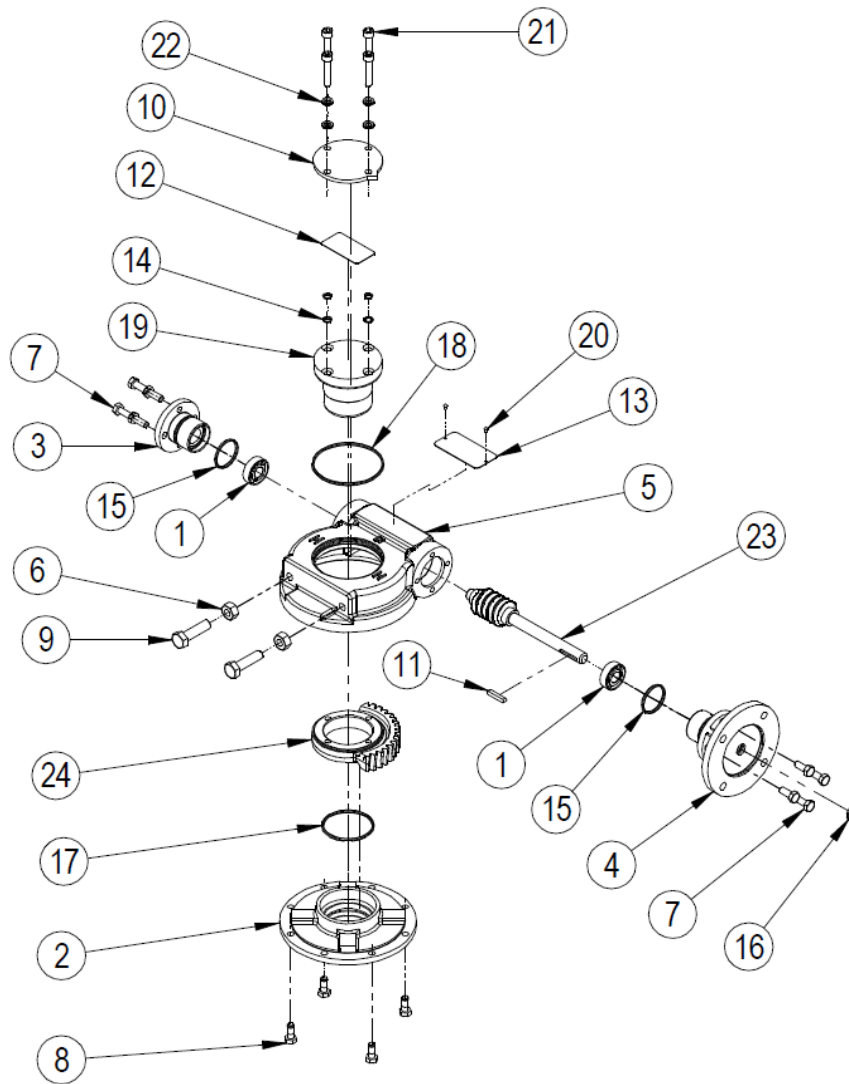


## Spareparts for IW worm gearbox



## SPARE PARTS LIST FOR IW/MOW 3 RANGE OF WORM GEAR ACTUATORS



### IW 3 WORM GEARBOX

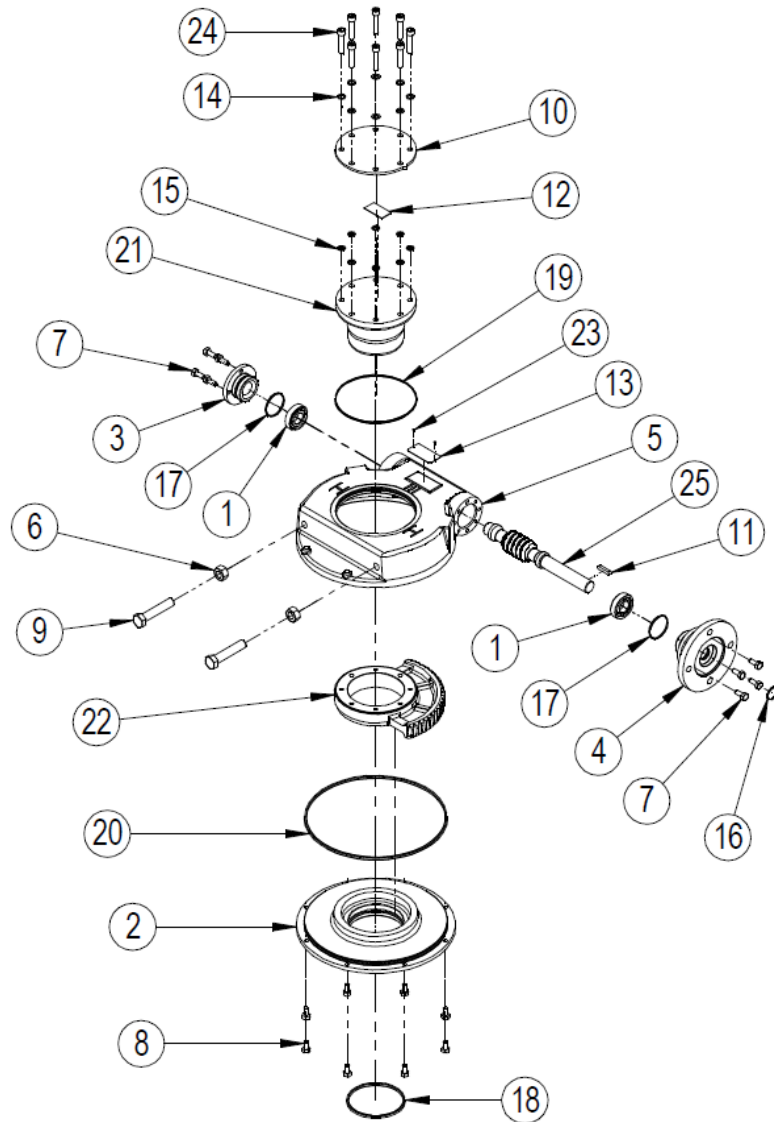
ITEM	DESCRIPTION	QUANTITY
*1	BALL BEARING	2
2	BASEPLATE	1
3	ENDCAP	1
4	INPUT FLANGE	1
5	GEARCASE	1
6	HEXAGON HEAD NUT	2
7	SCREW	8
8	SCREW	4
9	SCREW	2
10	INDICATOR PLATE	1
11	KEY	1
12	LABEL	1

13	NAMEPLATE	1
*14	O RING	4
*15	O RING	2
*16	O RING	1
*17	O RING	1
*18	O RING	1
19	OUTPUT SLEEVE	1
20	RIVET	2
21	SCREW	4
22	NORDLOCK WASHER	4
23	WORM SHAFT	1
24	WORM WHEEL	1
*25	GREASE	

Note: Items marked \* are the recommended spares holding for 5 years operation

Special solid worm wheels do not have output sleeves and screws but do have the same gearbox rating

## SPARE PARTS LIST FOR IW/MOW 4-8 RANGE OF WORM GEAR ACTUATORS



### IW 4-8 WORM GEARBOX

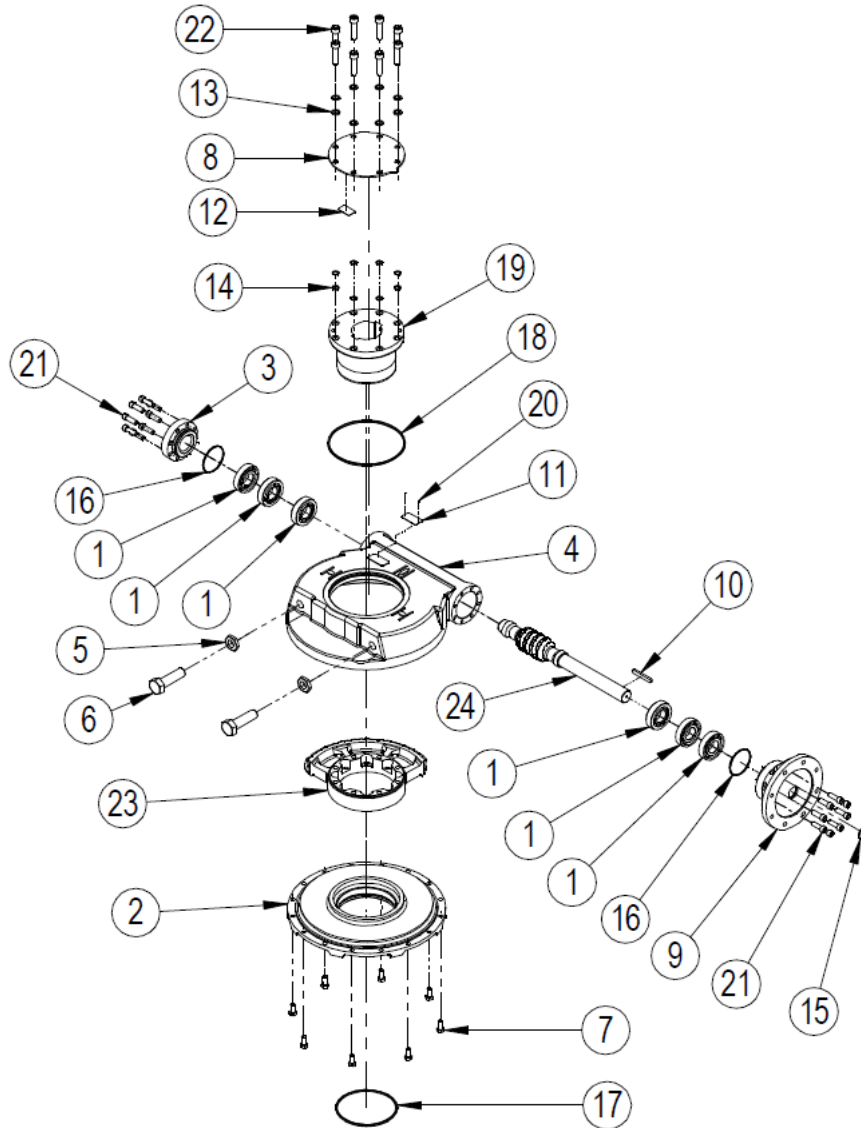
ITEM	DESCRIPTION	QUANTITY
*1	BALL BEARING	2
2	BASEPLATE	1
3	ENDCAP	1
4	INPUT FLANGE	1
5	GEARCASE	1
6	HEXAGON NUT	2
7	SCREW	8
7	SCREWS	8(IW7/8, IW72 & 82)
8	SCREW	8
9	SCREW	2
10	INDICATOR PLATE	1
11	KEY	1

12	LABEL	1
13	NAMEPLATE	1
14	NORDLOCK WASHER	8
*15	O RING	1
*16	O RING	1
*17	O RING	1
*18	O RING	1
*19	O RING	1
*20	O RING	1
21	OUTPUT SLEEVE	1
22	QUADRANT	1
23	RIVET	2
24	SCREW	8
25	WORM SHAFT	1
*26	GREASE	

Note: Items marked \* are the recommended spares holding for 5 years operation

Special solid worm wheels do not have output sleeves and screws but do have the same gearbox rating

## SPARE PARTS LIST FOR IW/MOW 9-11 RANGE OF WORM GEAR ACTUATORS



### IW 9-11 GEARBOX

ITEM	DESCRIPTION	QUANTITY
*1	BALL BEARING	6
2	BASEPLATE	1
3	ENDCAP	1
4	GEARCASE	1
5	HEXAGON NUT	2
6	SCREW	2
7	SCREW	8
8	INDICATOR PLATE	1
9	INPUT FLANGE	1
10	KEY	1
11	NAMEPLATE	1
12	LABEL	1
13	NORDLOCK WASHER	8
*14	O RING	8

*15	O RING	1
*16	O RING	2
*17	O RING	1
*18	O RING	1
19	OUTPUT SLEEVE	1
20	RIVET	2
21	SCREW	16
22	SCREW	8
23	WORM QUADRANT	1
24	WORM SHAFT	1
*25	GREASE	

Note: Items marked \* are the recommended spares holding for 5 years operation

Special solid worm wheels do not have output sleeves and screws but do have the same gearbox rating